

# Fire Resistant Glazing Systems



## THERM-A-GLAZE 30

### INTRODUCTION

Intumescent fire seals are an essential element of a glazing panel in a timber fire door set designed to meet the criteria of BS 476: Parts 20 and 22: 1987. To meet this requirement Intumescent Seals has developed a unique intumescent formulation representing a breakthrough in intumescent product technology.

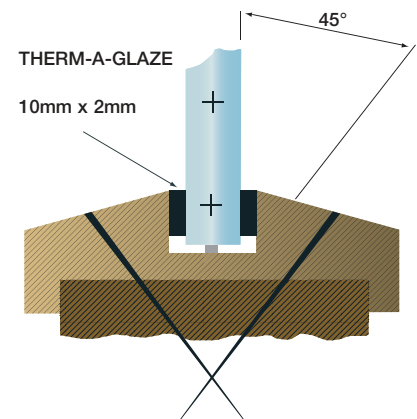
### APPLICATION

THERM-A-GLAZE has been developed to provide protection to the glazing panel and timber beading. A strip 10mm x 2mm located between the beads and the glass will provide fire resistant protection in an FD 30 or FD 30S timber fire door when suitable beading has been used. THERM-A-GLAZE can be used without additional protection from

moisture or other atmospheric pollutants. It can be installed in either external or internal timber fire door sets. THERM-A-GLAZE is a flexible material and is very easy to fit. A pair of scissors or knife is all that is required to cut it to size, and its self adhesive backing ensures a simple but reliable method of fixing to the timber beading. THERM-A-GLAZE can be used to protect 6mm Georgian wired glass in apertures up to 900mm x 600mm.

### DESCRIPTION

THERM-A-GLAZE is manufactured to a unique chemical formulation based on expandable graphite. The flexible strip is inherently resistant to water and normal environmental conditions so that no external protection is required.



### TEST EVIDENCE

Test evidence is available on request.

### AVAILABILITY

THERM-A-GLAZE is supplied as a self adhesive strip 10mm x 2mm (other sizes available) and in standard lengths of 2100mm.

## THERM-A-GLAZE 60

### APPLICATION

THERM-A-GLAZE 60 one hour glazing system has been developed to provide protection to the glazing panel in FD60 and FD60S rated timber fire doors using hardwood glazing beads. The beads do not require any treatment. Depending on the particular leaf construction and doorset arrangement employed, permitted glazed areas may be up to 0.47m<sup>2</sup>.

The glass types that can be used are 6mm thick Georgian wired plate glass, Borosilicate or Ceramic glass. Door constructions incorporating Flaxboard or Particleboard cores require the glazing aperture to be lipped with a minimum of softwood for 54mm thick doors and with hardwood of minimum density 600kgm<sup>-3</sup> for 45mm thick doors.

### DESCRIPTION

THERM-A-GLAZE 60 one hour glazing system comprises of the following components:

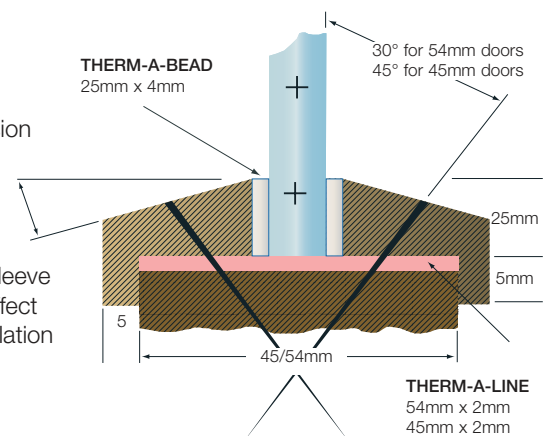
THERM-A-LINE - a specially formulated intumescent with erosion resistant qualities.

THERM-A-BEAD - a high expansion phosphate based intumescent contained in a pvc sleeve designed to provide a masking effect on the beads with maximum insulation between the glass and the bead.

### TEST EVIDENCE

THERM-A-GLAZE 60 has been successfully tested to BS 476: Parts 20 and 22 : 1987 in two 54mm FD60 timber fire doors - reference TRADA test FR1632 - 14/7/92.

Door A - laminated softwood core with chipboard facing. Aperture size 650 x 600mm. Integrity failure - 71 minutes.  
Door B - flaxboard core, overlaid with non-combustible board and faced with chipboard. Aperture size 650 x 600mm, hardwood lined. Integrity failure - 70 minutes.



### AVAILABILITY

THERM-A-GLAZE 60 is supplied as a complete system in the following sizes: THERM-A-LINE 2100 x 54 x 2mm and 2100 x 45 x 2mm (other sizes available) and in standard lengths of 2100mm.

THERM-A-BEAD 2100 x 25 x 4mm.

The pvc sleeve is available in brown, white, cream and black. Both components are supplied as standard with a self-adhesive backing tape.